

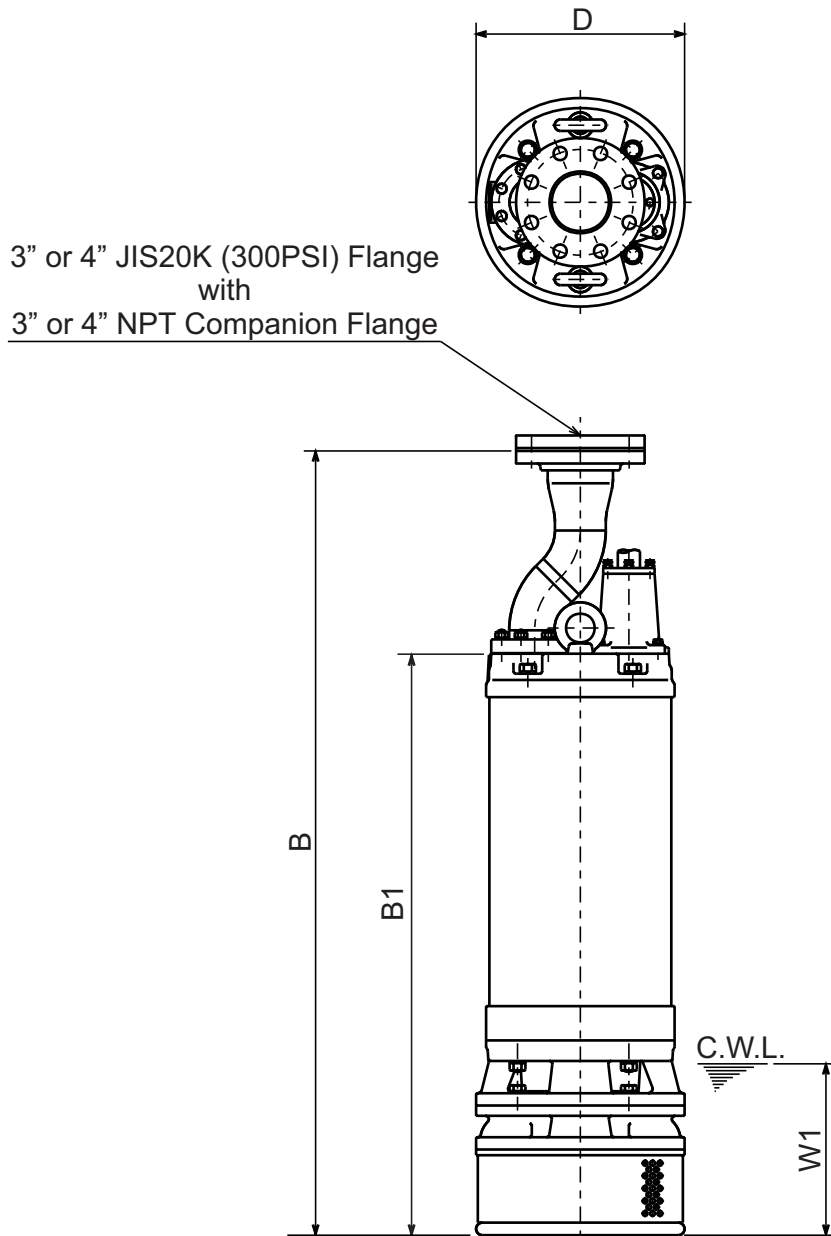


TSURUMI PUMP

**LH-W SERIES
HIGH HEAD - DEWATERING PUMPS**

DIMENSIONS

**LH322W-61
LH430W-61**



DIMENSIONS:USCS (Inch)

C.W.L. : Continuous running Water Level

Model	HP	NOM. SIZE	Pump & Motor			C.W.L.	Wt. (lbs.)
			B	B1	D	W1	
LH322W-61	30	3"	48 5/8	38 1/2	13	11 3/4	670
LH430W-61	40	4"	54 1/8	40 1/16	14 3/8	11 3/4	715

DIMENSIONS:METRIC (mm)

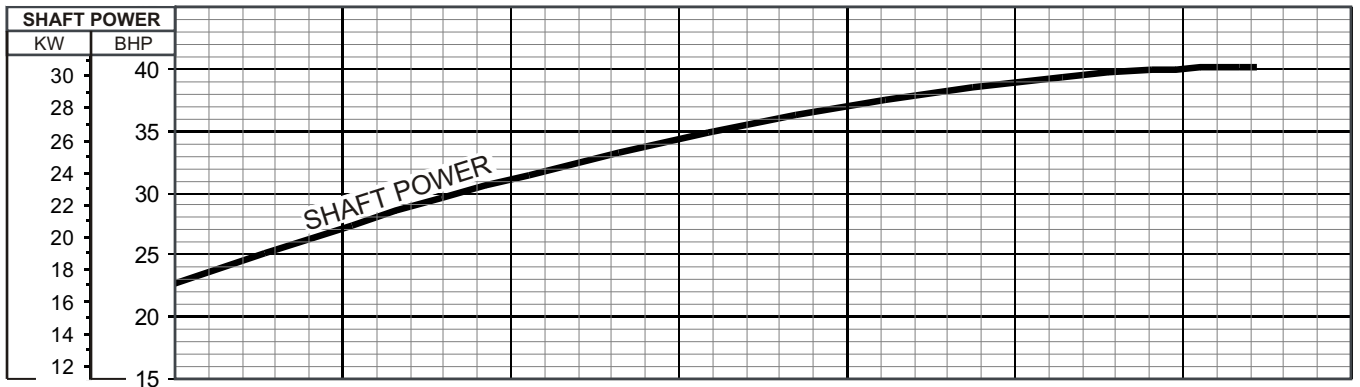
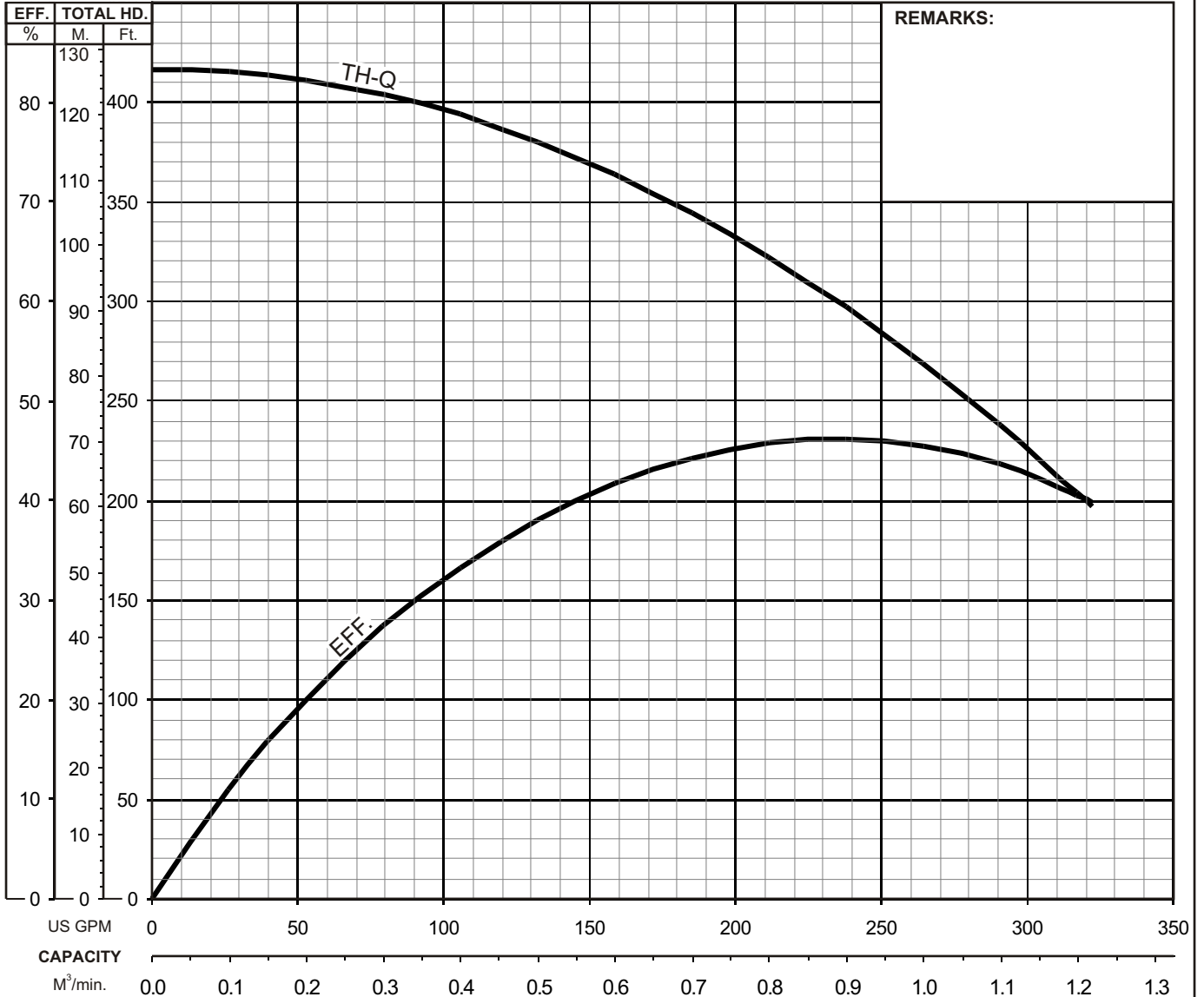
Model	HP	NOM. SIZE	Pump & Motor			C.W.L.	Wt. (kg)
			B	B1	D	W1	
LH322W-61	22	80	1235	978	330	300	304
LH430W-61	30	100	1375	1018	365	300	324



LH-W SERIES HIGH HEAD - DEWATERING PUMPS

PERFORMANCE CURVE

MODEL	BORE	HP	KW	RPM	SOLIDS DIA	LIQUID	SG.	VISCOSITY	TEMP.
LH430W-61	4"/100mm	40	30	3475	0.334"/8.5mm	Water	1.0	1.123 cSt	60°F
PUMP TYPE		PHASE	VOLTAGE	AMPERAGE		HZ	STARTING METHOD		INS. CLASS
High Head Dewatering Pump		3	460 / 575	48.0 / 38.5		60	Star-Delta		F
CURVE No.	DATE	PHASE	VOLTAGE	AMPERAGE		HZ	STARTING METHOD		INS. CLASS
-	-	-	-	-		-	-		-

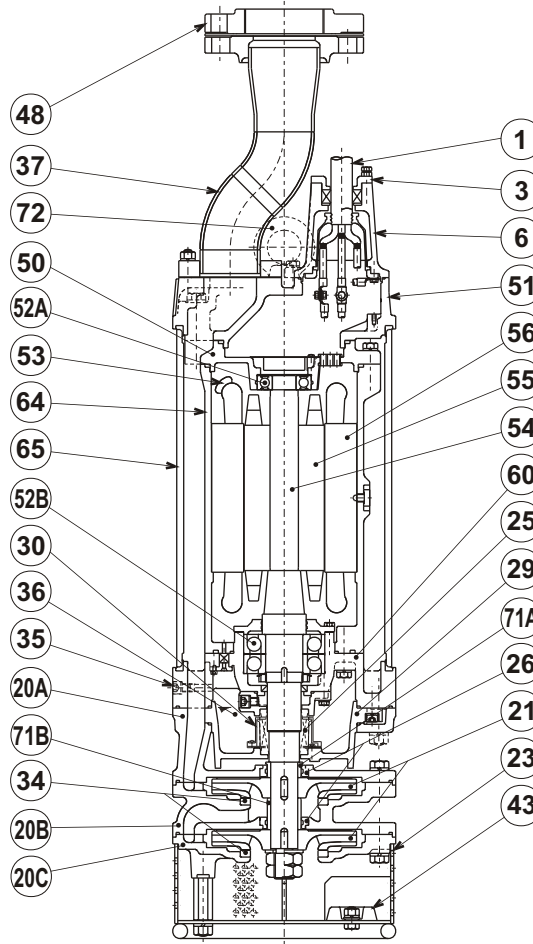




LH-W SERIES
HIGH HEAD - DEWATERING PUMPS

SECTIONAL VIEW

LH430W-61



ITEM#	DESCRIPTION	MAIN MATERIAL / NOTE	ASTM, AISI CODE	RELATED EN CODE	Q'TY
1	Power Cable	Chloroprene Sheath AWG 4/6 , 6/1 , 14/2 -65ft			1
3	Gland	Cast Iron	A48M Class30B	EN 1561 GJL-200	1
6	Stuffing Box	Cast Iron	A48M Class30B	EN 1561 GJL-200	1
20A	Upper Pump Casing	Cast Iron	A48M Class30B	EN 1561 GJL-200	1
20B	Middle Pump Casing	Cast Iron	A48M Class30B	EN 1561 GJL-200	1
20C	Lower Pump Casing	Cast Iron	A48M Class30B	EN 1561 GJL-200	1
21	Impeller	High Chrome Cast Iron	A532 Class TypeA	DIN 1695 G-X260Cr27	2
23	Suction Strainer	Steel	A283 Grade D	EN 10025 S275	1
25	Mechanical Seal	Silicon Carbide / HT-4550N			1
26	Labyrinth Ring	Stainless Steel	S 30400	1.4301	2
29	Oil Casing	Cast Iron	A48M Class30B	EN 1561 GJL-200	1
30	Oil Lifter	PBT Resin W/GF40			1
34	Mouth Ring	High Chrome Cast Iron	A532 Class TypeA	DIN 1695 G-X260Cr27	2
35	Oil Plug	Stainless Steel	S 30400	1.4301	3
36	Lubricant	Turbine Oil ISO VG32 or SAE 10W-20			
37	Discharge Pipe	Steel Pipe (& Steel) / 4" JIS20K	A53 Type F (& A283 Grade D)	DIN 1615 St 33 (& EN 10025 S275)	1
43	Cathodic Protection Plate	Aluminium Alloy			2
48	Companion Flange	Cast Iron / NPT 4" JIS20K	A48M Class30B	EN 1561 GJL-200	1
50	Motor Bracket	Cast Iron	A48M Class30B	EN 1561 GJL-200	1
51	Head Cover	Cast Iron	A48M Class30B	EN 1561 GJL-200	1
52A	Upper Bearing	#6307ZZC3			1
52B	Lower Bearing	#7311DBC3			1
53	Motor Protector				3
54	Shaft	Stainless Steel	S 42000	1.4028	1
55	Rotor				1
56	Stator				1
60	Bearing Housing	Cast Iron	A48M Class30B	EN 1561 GJL-200	1
64	Motor Housing	Cast Iron	A48M Class30B	EN 1561 GJL-200	1
65	Outer Cover	Steel	A283 Grade D	EN 10025 S275	1
71A	Shaft Sleeve (Upper)	Stainless Steel	S 40300	1.4000	1
71B	Shaft Sleeve (Lower)	Stainless Steel	S 40300	1.4000	1
72	Lifting Lug Bolt	Stainless Steel	S 30400	1.4301	2

PARTS LIST		HI PRESSURE DEWATERING PUMP			5/23/2017	
ITEM	PART No.	DESCRIPTION	QTY	SIZE	MATERIAL	NOTES
1	141-006-19	Hex.Nut	3	M10	SUS304	
2	010-103-21	Cable Clip	2	No.4	SPC	
3	009-117-11	Terminal	6	R-22-6	CU	included in ITEM#10 cable assembly
4	009-107-18	Terminal	1	R-14-6	CU	included in ITEM#10 cable assembly
5	009-116-10	Terminal	2	R-2-4	CU	included in ITEM#10 cable assembly
6	140-074-15	Hex.Bolt	3	M10x20	SUS304	
7	011-110-11	Shackle	1	6mm(M8,SC)	SS	
8	095-100-18	Chain	1	d5(9-Link)	SS	
9	072-103-23	Eye Bolt	2	M24	SUS304	
10	001-007-71	Cabletyre Cable Set (65') 460-575V-60Hz (USA)	1	2PNCTFMulti- core9Cx22mm2	(Vm)	
11	140-056-53	Hex.Bolt	4	M8x30	SUS304	included in ITEM#10 cable assembly
12	141-005-18	Hex.Nut	4	M8	SUS304	included in ITEM#10 cable assembly
13	003-106-19	Gland	1	No.5	FC	included in ITEM#10 cable assembly
14	004-170-17	Cable Bush	1	d39.5xd58.5x22l	CR	included in ITEM#10 cable assembly
15	005-106-28	Bush Washer	1	d42xd57x3.2t	SPC	included in ITEM#10 cable assembly
16	140-076-17	Hex.Bolt	4	M10x30	SUS304	
17	142-164-19	Spring Washer	4	M10	SUS304	
18	006-119-27	Stuffing Box	1	KRS-8L	FC	included in ITEM#10 cable assembly
19	122-135-19	O-Ring	1	G-120(119.4xd3.1)	NBR	*
20	008-105-13	Mould Cover	1	No.3	NBR	included in ITEM#10 cable assembly
21	003-149-14	Gland (Lower)	1	No.5	FC	included in ITEM#10 cable assembly
22	141-004-59	Hex.Nut	6	M6	SWRM	
23	009-168-17	Terminal	6	R-22-S6	CU	included in ITEM#10 cable assembly
24	009-107-18	Terminal	6	R-14-6	CU	
25	140-029-28	Hex.Bolt	6	M6x10	SWRM	
26	002-115-18	Heat Shrink Tube (Sold per meter)	m	EVA(d16.5x1t)	(Vm)	
27	002-116-19	Heat Shrink Tube (Sold per meter)	m	A4(d20x0.35t)	(Vm)	
28	009-114-18	Connector	2	PC-4020M		included in ITEM#10 cable assembly
29	009-107-18	Terminal	1	R-14-6	CU	included in ITEM#10 cable assembly
30	140-033-12	Hex.Bolt	4	M6x16	SUS304	
31	009-115-19	Connector	2	PC-4020F		
32	002-128-14	Heat Shrink Tube (Sold per meter)	m	EVA(d10x1t)	(Vm)	
33	002-134-13	Heat Shrink Tube (Sold per meter)	m	A(d13x0.3t)	(Vm)	
34	141-007-10	Hex.Nut	8	M12	SUS304	
35	142-165-10	Spring Washer	8	M12	SUS304	
36	144-422-30	Stud Bolt	8	M12x40(22/24)	SUS304	replaces OLD part# 144-000-46
37	037-351-16	Flanged Discharge Pipe	1	100mmJIS20K,GHZ430W	SGP+SS	

PARTS LIST		HI PRESSURE DEWATERING PUMP			5/23/2017	
ITEM	PART No.	DESCRIPTION	QTY	SIZE	MATERIAL	NOTES
38	121-447-14	Packing	1	d78xd152x1t	THREE SHEET	*
39	140-134-14	Hex.Bolt	4	M16x90	SUS304	
40	142-166-11	Spring Washer	4	M16	SUS304	
41	142-353-17	Seal Washer	4	SM-16	SUS+NBR	*
42	051-222-11	Motor Head Cover	1		FC	
43	122-147-14	O-Ring	1	G-180(179.3xd5.7)	NBR	*
44	143-028-13	Pan Screw	2	M5x10	SWRM	
45	214-006-18	Blind Cover	1	d100x1.6t	SPC	
46	016-114-10	Lead Wire Protection Bush	1	GH-637/837(for 5 cores)	SBR	
47	016-113-19	Lead Wire Protection Bush	1	GH-422/430(for 3 cores)	SBR	
48	140-100-11	Hex.Bolt	6	M12x45	SUS304	
49	142-165-10	Spring Washer	6	M12	SUS304	
50	050-407-19	Motor Bracket	1		FC	
51	142-199-13	Wave Washer	1	6208/6307	SK5	
52	052-110-18	Bearing (Lower)	1	6307ZZC3		
53	122-127-18	O-Ring	1	G-80(79.4xd3.1)	NBR	*
54	121-454-14	Packing	1	d291xd307.8x16.4t	NBR	*
55	065-339-15	Outer Cover	1	GHZ-430W	SS	
56	121-454-14	Packing	1	d291xd307.8x16.4t	NBR	*
57	055-764-12	Rotor	1Set			
58	147-132-13	Impeller Key	1	10x8x25l	SUS420	
59	053-309-19	Motor Protector	3	9700K-46-215	(H)	
60		Stator	1Set			
61	122-153-13	O-Ring	1	G-220(219.3xd5.7)	NBR	*
62	064-390-24	Motor Frame	1		FC	
63	122-259-10	O-Ring	1	12xd3	NBR	*
64	144-490-13	Stator Set Bolt	1	M12(B=21)	SUS403	
65	122-171-17	O-Ring	1	V-150(148.5xd4)	NBR	*
66	122-150-10	O-Ring	1	G-195(184.3xd5.7)	NBR	*
67	121-463-16	Packing (Felt)	2	4x4.4x217l	Felt	
68	140-055-49	Hex.Bolt	4	M8x25	SWRM	
69	062-210-10	Bearing Cover	1	d55.5xd160x22t	FC	
70	052-120-11	Bearing	1Set	7311ADBC3		
71	142-244-14	Bearing Washer	1	AW11	SPCC	
72	141-076-10	Bearing Nut	1	AN11	SS	
73	026-272-18	Oil Seal	1	SC-50689	NBR	
74	060-424-13	Bearing Housing	1		FC	

PARTS LIST		HI PRESSURE DEWATERING PUMP			5/23/2017	
ITEM	PART No.	DESCRIPTION	QTY	SIZE	MATERIAL	NOTES
75	121-247-12	Packing	3	d12.3xd18x2t	PE	*
76	035-113-18	Oil Plug	3	M12x14	SUS304	
77	142-165-10	Spring Washer	6	M12	SUS304	
78	140-100-11	Hex.Bolt	6	M12x45	SUS304	
79	122-127-18	O-Ring	1	G-80(79.4xd3.1)	NBR	*
80	028-000-27	Seal Housing	1	LH322W/430W-51/61	FC	
81	121-247-12	Packing	1	d12.3xd18x2t	PE	*
82	035-113-18	Oil Plug	1	M12x14	SUS304	
83	142-163-18	Spring Washer	4	M8	SUS304	
84	140-055-10	Hex.Bolt	4	M8x25	SUS304	
85	004-176-13	Cable Bush	1	LH322W/430W-51/61	NBR	
86	003-207-11	Gland	1	LH322W/430W-51/61	FC	
87	142-161-16	Spring Washer	2	M5	SUS304	
88	140-019-12	Hex.Bolt	2	M5x16	SUS304	
89	025-000-04	Mechanical Seal	1	HT-4550N	SiC	
90	143-070-23	Pan Screw	2	M5x6	SWRM	
91	030-136-12	Oil Lifter	1	HT-4550	Resin	
92	143-070-10	Pan Screw	6	M5x6	SWRM	
93	030-145-14	Seal Stopper	1	HT-4550	SPCC	
94	122-251-12	O-Ring	1	205xd3.8	NBR	*
95	029-000-90	Oil Casing	1	LH322W/430W	FC	
96	142-164-19	Spring Washer	4	M10	SUS304	
97	140-286-12	Hex.Socket Cap Bolt	4	M10x30	SUS304	
98	071-299-11	Shaft Sleeve (Upper)	1	d40xd50x23t	SUS403	
99	144-438-26	Stud Bolt	4	M16x55(28/24)(JIS)	SUS304	
100	122-016-13	O-Ring	4	P-16(15.8xd2.4)	NBR	*
101	122-251-12	O-Ring	1	205xd3.8	NBR	*
102	122-295-18	O-Ring	1	310xd3.8	NBR	*
103	020-002-94	Pump Casing (Upper)	1	GHZ-430W(w/Labyrinth Ring)	FC+SUS	interchangeable with old part# 020-896-16;
103a	026-000-35	Labyrinth Ring	1		SUS403	included with ITEM# 103
104	142-166-11	Spring Washer	4	M16	SUS304	
105	141-008-11	Hex.Nut	4	M16	SUS304	
106	140-125-12	Hex.Bolt	4	M16x45	SUS304	
107	142-166-11	Spring Washer	4	M16	SUS304	
108	122-255-16	O-Ring	1	340xd5	NBR	*
109	040-126-10	Impeller Shim		d41.5xd59x0.3t	SUS304	
110	021F9212	Impeller (50Hz)	2	LH430W-51	HiCrFC	

PARTS LIST		HI PRESSURE DEWATERING PUMP			5/23/2017	
ITEM	PART No.	DESCRIPTION	QTY	SIZE	MATERIAL	NOTES
110	021F9313	Impeller (60Hz)	2	LH430W-61	HiCrFC	
111	020-002-95	Pump Casing (Middle)	1	w/Mouth Ring, Labyrinth Ring	FC	interchangable with old part# 020-897-17
111a	026-000-35	Labyrinth Ring	1		SUS403	included with ITEM# 111
112	122-255-16	O-Ring	1	340xd5	NBR	*
113	071-300-16	Shaft Sleeve (Lower)	1	d40xd50x47t	SUS403	
114	142-134-10	Plain Washer	1	M30	SUS304	
115	141-012-50	Hex.Nut	2	M30(H=18)	SUS304	
116	020-898-18	Pump Casing (Lower)	1	GHZ-430W(w/Mouth Ring)	FC+HiCrFC	
117	142-166-11	Spring Washer	4	M16	SUS304	
118	140-126-13	Hex.Bolt	4	M16x50	SUS304	
119	141-007-10	Hex.Nut	2	M12	SUS304	
120	142-165-10	Spring Washer	2	M12	SUS304	
121	142-129-12	Plain Washer	2	M12	SUS304	
122	043-102-19	Cathodic Protection Plate	2	AB-1HS(75x70x20t)	Al	
123	140-096-13	Hex.Bolt	2	M12x25	SUS304	
124	144-128-17	Stud Bolt	4	M16x110(24/24)	SUS403	
125	023-001-24	Strainer Stand	1	GHZ-430W	SS	compatible with OLD part# 023-438-15
126	142-166-11	Spring Washer	4	M16	SUS304	
127	141-008-11	Hex.Nut	4	M16	SUS304	
	173-525-18	Packing O-Ring Set	1Set	(Marked by *)		
19	122-135-19	O-Ring (S.Box)	1	G-120(119.4xd3.1)	NBR	*
38	121-447-14	Packing (Discharge Pipe)	1	d78xd152x1t	THREE SHEET	*
41	142-353-17	Seal Washer (Motor Head Cover bolt)	4	SM-16	SUS+NBR	*
43	122-147-14	O-Ring (Head Cover/M.Bracket)	1	G-180(179.3xd5.7)	NBR	*
53	122-127-18	O-Ring (Upp. Bearing)	1	G-80(79.4xd3.1)	NBR	*
54	121-454-14	Packing (Head Cover/Out.Cover)	1	d291xd307.8x16.4t	NBR	*
56	121-454-14	Packing (Out.Cover/Brg.Housing)	1	d291xd307.8x16.4t	NBR	*
61	122-153-13	O-Ring (M.Bracket/M.Frame)	1	G-220(219.3xd5.7)	NBR	*
63	122-259-10	O-Ring (Stator Set Bolt)	1	12xd3	NBR	*
65	122-171-17	O-Ring (M.Frame/Brg.Housing)	1	V-150(148.5xd4)	NBR	*
66	122-150-10	O-Ring (M.Frame/Brg.Housing)	1	G-195(184.3xd5.7)	NBR	*
75	121-247-12	Packing (Oil Plug)	3	d12.3xd18x2t	PE	*
79	122-127-18	O-Ring (Brg.Housing/Seal Housing)	1	G-80(79.4xd3.1)	NBR	*
81	121-247-12	Packing (Air Tightness Test Plug)	1	d12.3xd18x2t	PE	*
94	122-251-12	O-Ring (Brg.Housing/O.Casing)	1	205xd3.8	NBR	*
100	122-016-13	O-Ring (Upp. P.Casing Bolt)	4	P-16(15.8xd2.4)	NBR	*
101	122-251-12	O-Ring (O.Casing/Upp. P.Casing)	1	205xd3.8	NBR	*



MODEL **LH430W-61**

PARTS LIST		HI PRESSURE DEWATERING PUMP			5/23/2017	
ITEM	PART No.	DESCRIPTION	QTY	SIZE	MATERIAL	NOTES
102	122-295-18	O-Ring (Brq.Housing/Upp. P.Casing)	1	310xd3.8	NBR	*
108	122-255-16	O-Ring (Upp./Mid. P.Casing)	1	340xd5	NBR	*
112	122-255-16	O-Ring (Mid./Low. P.Casing)	1	340xd5	NBR	*
		Lubricant		Turbine Oil VG32 2,350ml		

PARTS LIST		HI PRESSURE DEWATERING PUMP				5/23/2017
ITEM	PART No.	DESCRIPTION	QTY	SIZE	MATERIAL	NOTES

EXPLODED VIEW

